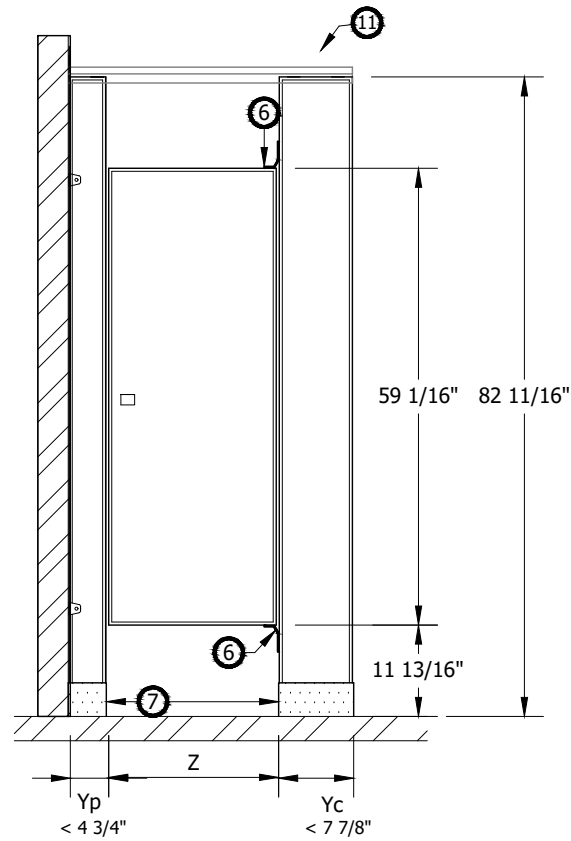
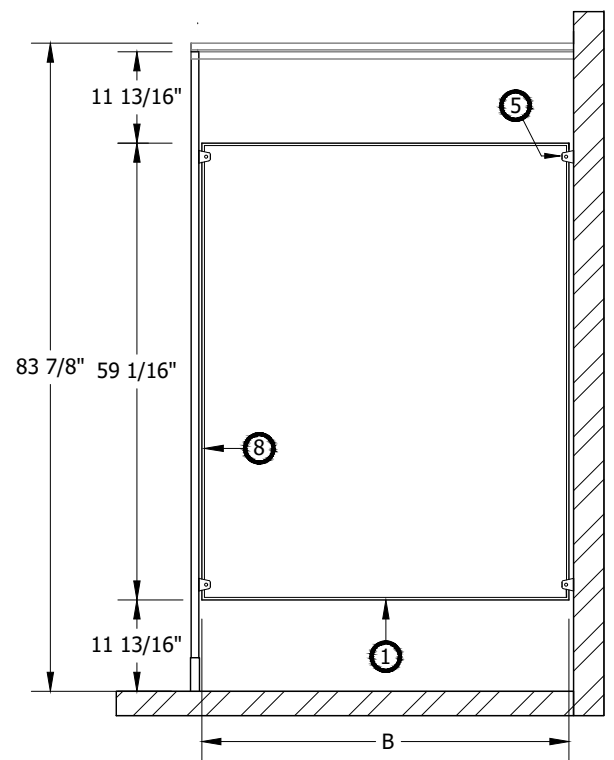


UPPER VIEW



FRONT VIEW



LATERAL VIEW

- B: LATERAL PANEL
- Yp: WALL PILASTER
- Yc: CENTRAL PILASTER
- Yt: TERMINAL PILASTER
- Z: DOOR

"B" MEASURES (PANEL)					
35 7/16"	38 3/16"	48 1/16"	53 1/8"	59 1/16"	70 3/16"

"Y" MEASURES (PILASTERS)									
4 3/4"	5 7/8"	6 11/16"	7 7/8"	9 1/16"	11 3/16"	13 3/18"	15 3/8"	19 1/16"	23 5/8"

"Z" MEASURES (DOORS)				
21 5/8"	24"	33 3/16"	35 1/16"	39 3/8"

PIECES DESCRIPTION
1.- STANDARD LATERAL PANEL.
2.- PILASTER.
3.- STANDARD DOOR.
4.- UPPER HINGE.
5.- "U" BRACKET.
6.- LOWER HINGE.
7.- STAINLESS STEEL SHOE.
8.- STAINLESS STEEL PERIMETER TRIM.
9.- SLIDE LATCH.
10.- PULL TAB.
11.- STAINLESS STEEL REINFORCEMENT 22 GAUGE.

4300 STANDARD STANDARD OVERHEAD BRACED
 The Reinforced model has all the features of the Standard model and additionally it has an aluminium alloy superior reinforcement lined with lime stainless steel sight. 22 is also used in alcove type panels. This model is designed to be use in high traffic areas.

NAME: MODEL STANDARD OVERHEAD BRACED 4300		
SCALE: 1:25	DIMENSIONS: INCHES	
DATE: JULY, 2022	DRAWN: JLAR	PLAN NUMBER: 4300-01